

04 Large Pressure Treated Apex Garden Shed

Instruction Manual

7ft, 8ft wide

9ft, 10ft, 12ft deep

larger front and rear line drawn panels.

All window and door variations



04 Instruction Manual

The type and quantity of components may vary for different style sheds. Assembly of all shed styles is by the same method as detailed.

Before assembling the shed, please check that all parts are present. Report any shortages or other issues immediately.

No.	Components	Number
1	Front panel	1
2	Rear panel	1
3	Side panels	4
4	Felt	1
5	Roof diamond	2
6	Floor	3
7	Roof panels	6
8	Door	1 or 2
9	Windows	Optional
10	Window bead 15mm x 20mm	Optional
11	Floor bearers tanalised 26mm x 38mm	Variable
12	Barge boards 11mm x 41mm	4
13	Tee Hinges	3 (single door) / 6 (double door)
14	Turn button	1 (single door) / 2 (double door)
15	Cover strips 11mm x 41mm	6
16	Hasp and Staple	1
17	Roof Brace	2

Base.

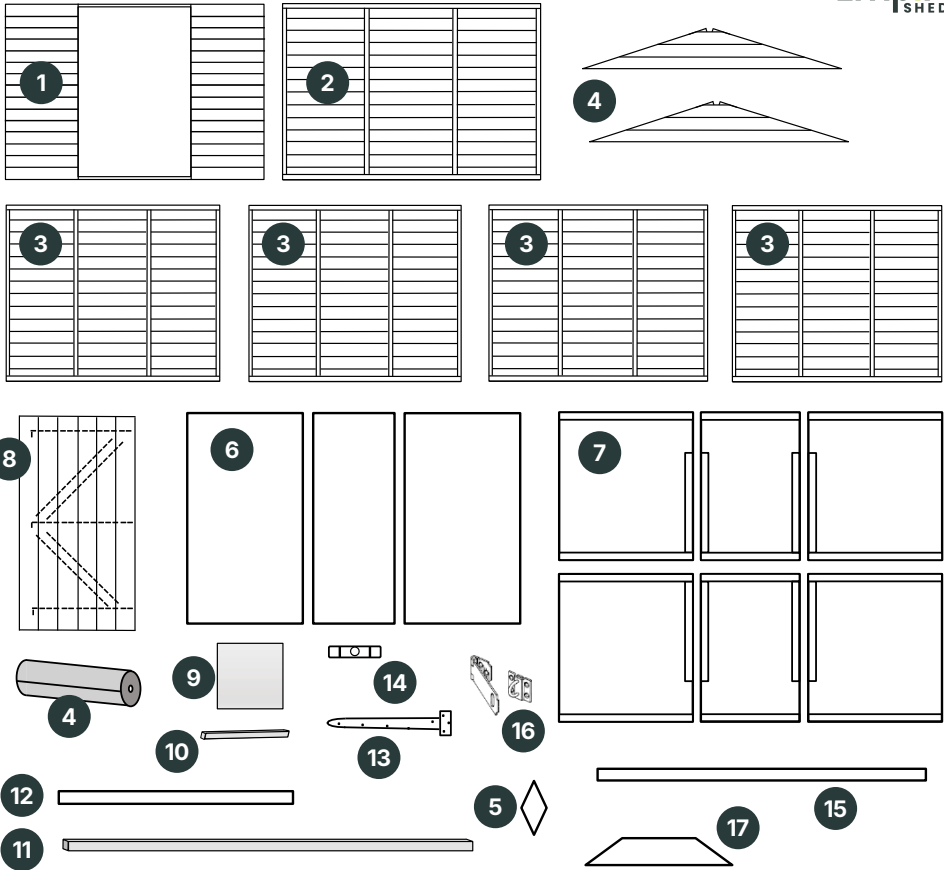
Ensure the base is level and is built on firm ground, to prevent distortion. The base should be slightly smaller than the external measurement of the building to allow water to run away freely, i.e. the cladding should overlap the base, the building must not be allowed to sit in pooled water during wet conditions.

When constructing your base, remember not to build it too close to walls, fences, trees or overhanging bushes as this may cause issues with water ingress over a long period. Always ensure that there will be access to all sides for maintenance work and annual treatment

Timber Information.

Because wood is a natural material, it can alter in appearance due to a variety of factors, such as movement, warping, and splitting, especially in harsh weather. The timber may occasionally have splits, knots, or other visible flaws.

Despite our best efforts to hand-pick wood without splits or knotholes, there may be times when wood is chosen in good faith but has what looks to be a solid knot in it. It's possible that over time or during product movement, these tiny knot holes become loose from the wood, creating a little knot or crack. Regretfully, we cannot be accountable for the product's maturation and can only provide our best recommendations for handling this scenario, should it arise. If the damage is severe, we would suggest replacing the board. Otherwise, we would suggest applying wood filler to the affected area.



Fixings

60mm screws

40mm screws

25mm black screws

32mm ringshank nails

13mm clout nails

30mm panel pins (windows options only)

If you have any questions or queries during the assembly of your building please contact us:



Helpline: 01384 897257

Opening hours: Monday – Friday 9am – 4.30pm

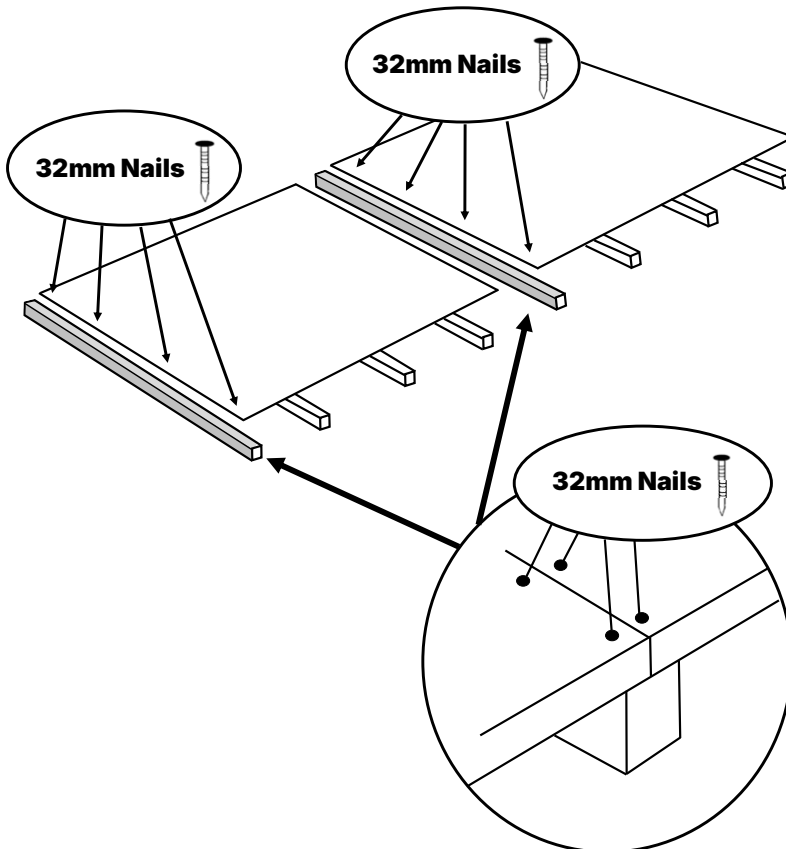
We are constantly improving and updating the quality of our products and as such some components may differ from those shown. We reserve the right to change the specification of our products without prior notice.

1. Floor Section

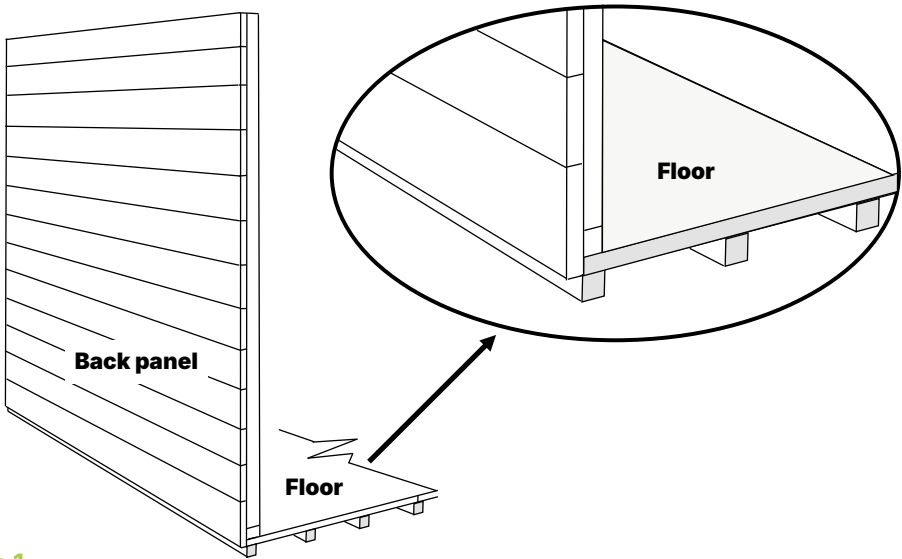
The **floor and floor bearers** are supplied separately.
The **roof** is supplied with batons already attached.

Depending on the size of your shed, you will have either 3 floor boards, which should be fixed together as shown below.

Attach the floor bearers as shown below. Starting at one end, place each floor bearer approx. 30cms apart, ensuring that one bearer is fixed along both outer edges of the floor. Where two boards meet, ensure that they are joined together onto one floor bearer as shown below.



2. Wall Panels

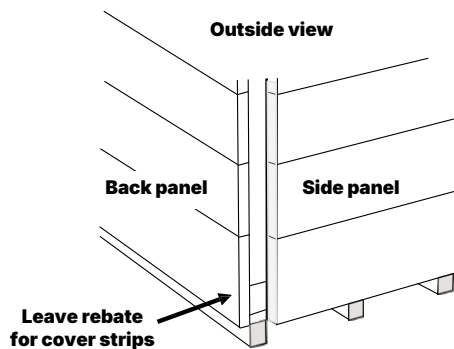
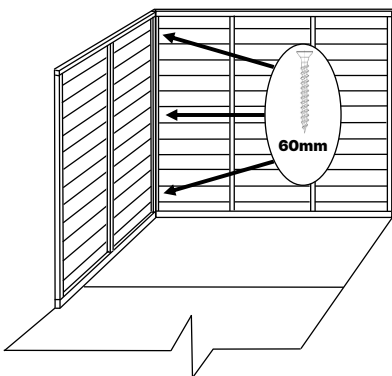


Step 1.

Position the back panel so that the edge of the panel is flush with the edge of the floor at both ends and the overhang on the bottom of the panel is butted up to the floor. This panel is the same width as the floor board.

Step 2.

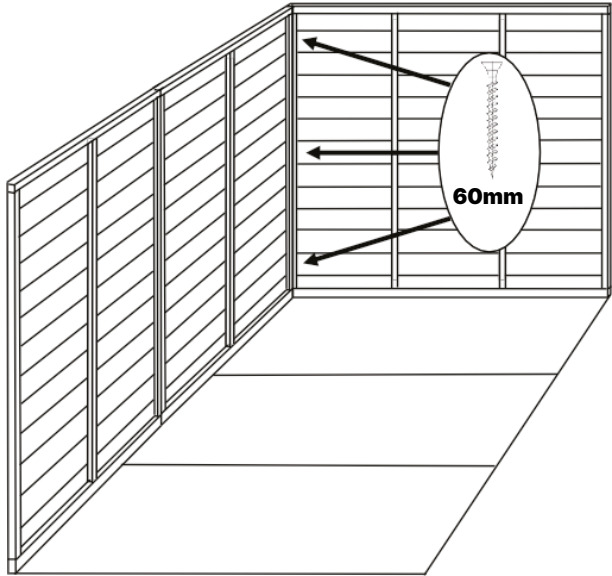
Position the corresponding side panel next to the back panel, to make a corner. The cladding of the side panel should be proud of the end panel to allow fitting of the corner cover strips, as shown below. Next screw the remaining panels into place using the same method.



Step 3.

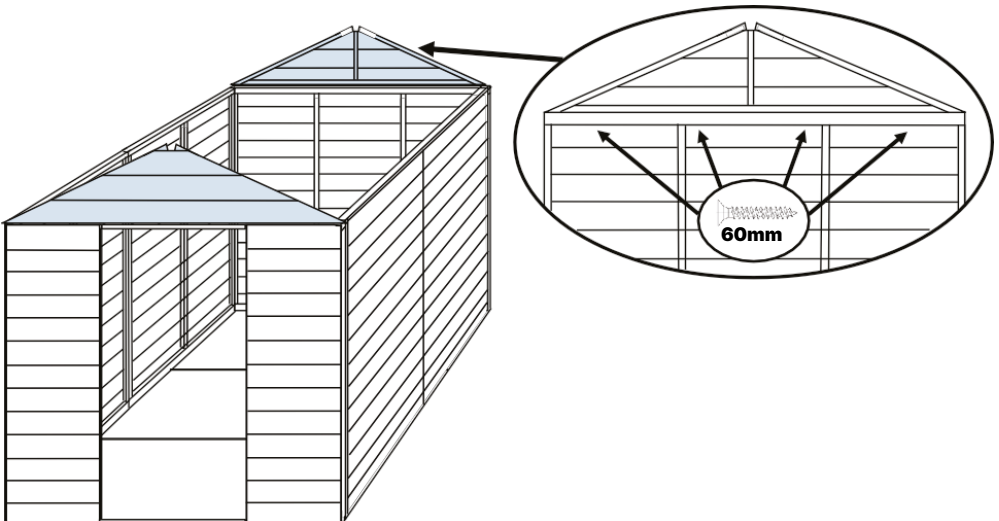
Fix the remaining panels in place using the method shown in step 2.

Do not screw any of the panels to the floor at this point.



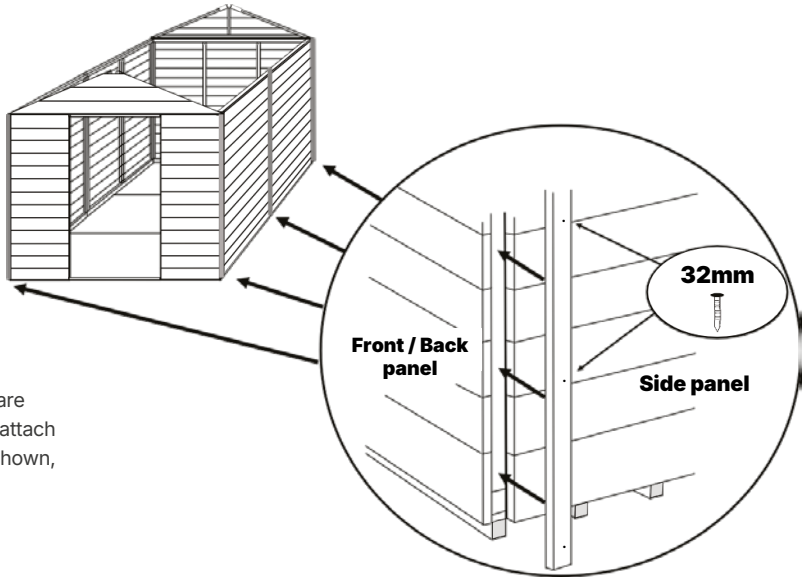
Step 4.

Fix the Apex points to the top of the front and rear panels using 60mm screws as shown.



Step 5.

Once all walls are assembled, ensure the shed is now square on the floor. Using the 60mm screws, fix the walls panels to the floor. Do this by screwing through the framing of the wall panel, through the floor and into the floor bearer. Use 2 to 4 screws per wall panel.



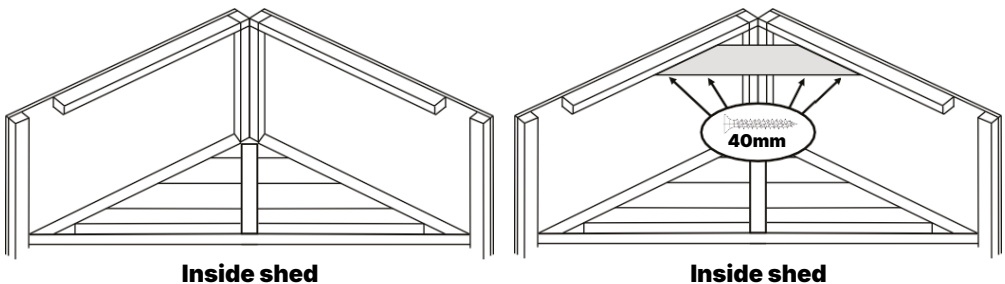
Step 6.

Once the Apex points are screwed into position, attach the 6 cover strips, as shown, using 32mm nails.

3. Roof

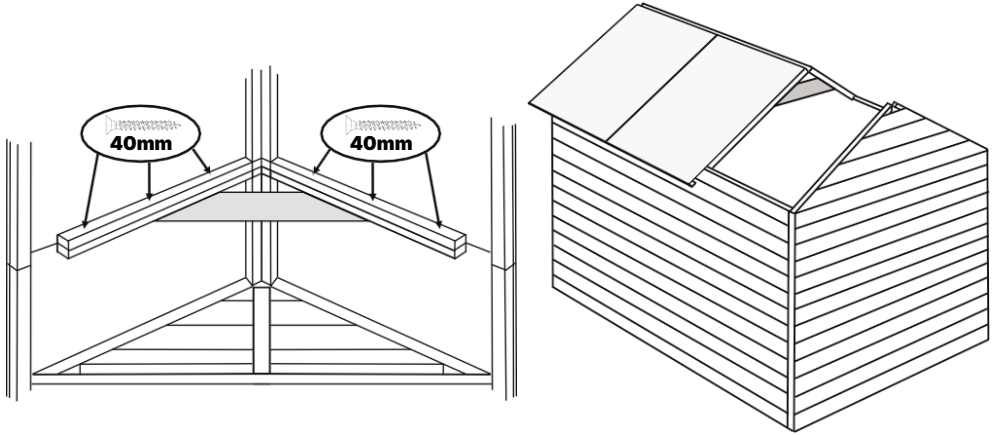
Step 1.

Lay two of the large roof boards onto the shed as shown. The edges without baton attached should over- hang the apex end panel of the shed. Using the 40mm screws, fix the roof brace into position by screwing through the brace into the baton of the roof, ensuring that the roof boards are pushed upwards to match the angle of the roof brace.



Step 2.

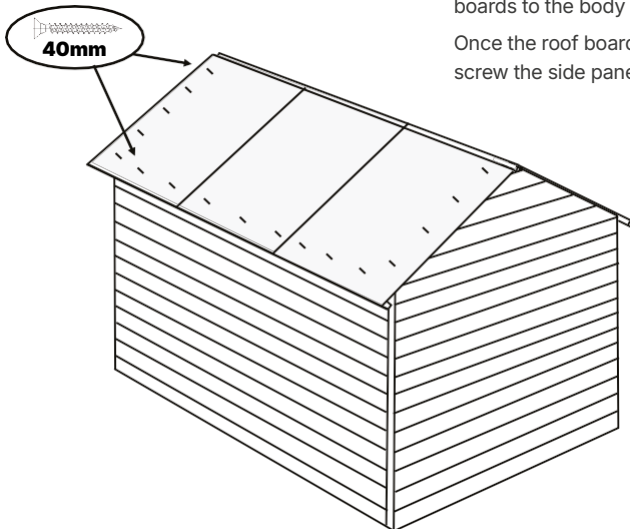
Place the next two roof boards onto the shed in the same manner. Secure all roof boards together as shown. If the shed has more than four roof boards, continue adding the roof boards and braces until the roof is fully assembled.



Step 3.

Ensure the roof is squared up and then secure roof boards to the body of the shed using 40mm screws.

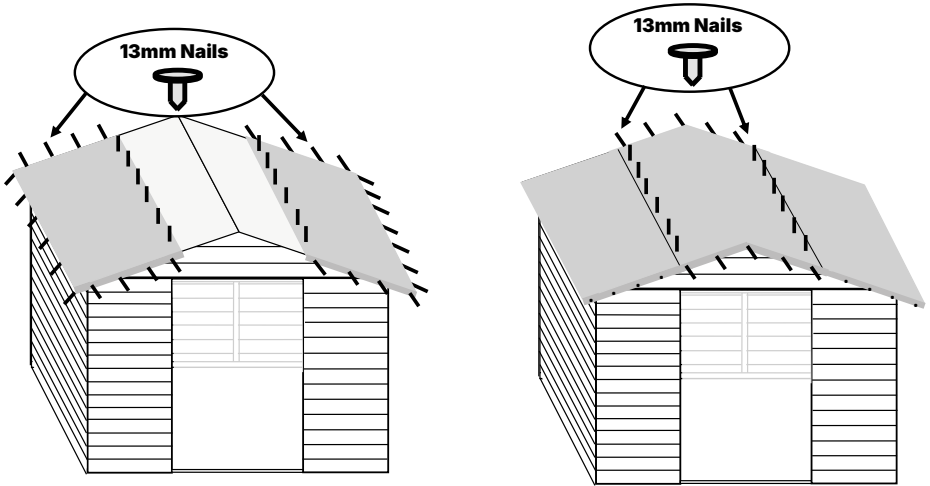
Once the roof boards are secured in place you can then screw the side panels to the floor using 60mm screws.



4. Felt

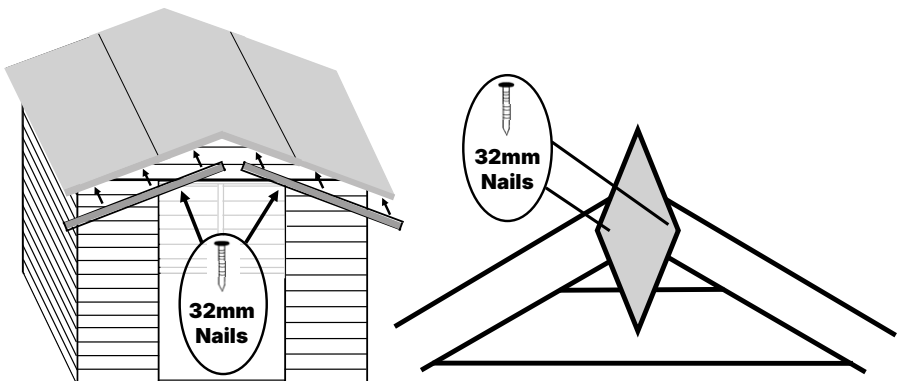
Step 1.

Position the first length of felt along the lower edge of one side of the roof and fix as shown. Repeat on the other side of the shed. Place the next piece of the felt over the apex of the roof, ensuring that it overlaps the lower piece by at least 10cm and fix with 13mm clout nails as shown. Finally attach the last piece of felt in the same way.



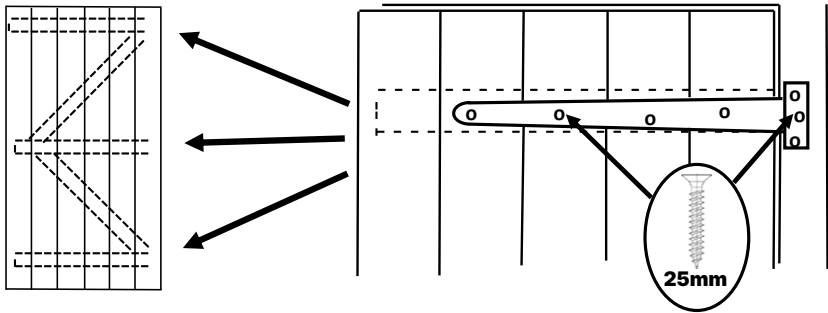
Step 2.

Attach the barge boards to the front and back of the roof with the 32mm nails. Ensure that each barge board is flush with the roof line before fixing. Next place the diamond over the joint between the barge boards and fix in place with the 32mm nails.



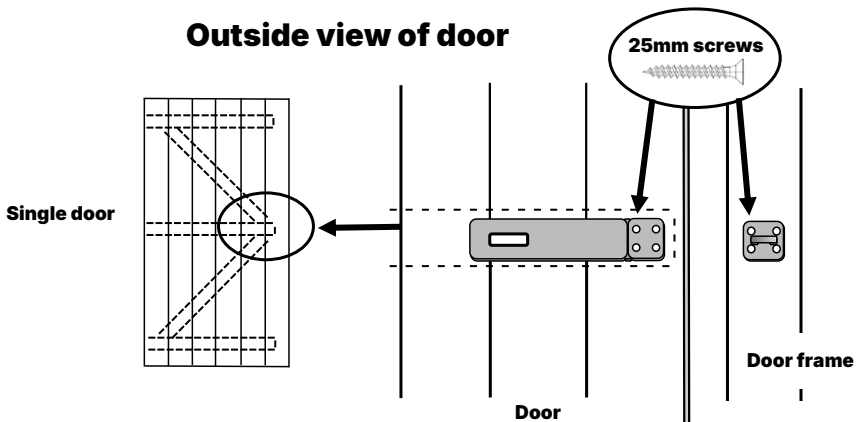
5. Door

Lay the door on a flat surface with the cladding facing upwards. Take one T hinge and position on the door as shown below, making sure that the T hinge is directly above the brace on the underside of the door. Fix the T hinge into place with the 25mm black screws. Repeat for the remaining T hinges. With the T hinges secured, position the door squarely in the door frame. Fix the top hinge first with 1 screw and the bottom hinge second with the 25mm black screws. Make sure that the door can open and close freely and then fix the remaining screws into the hinges.



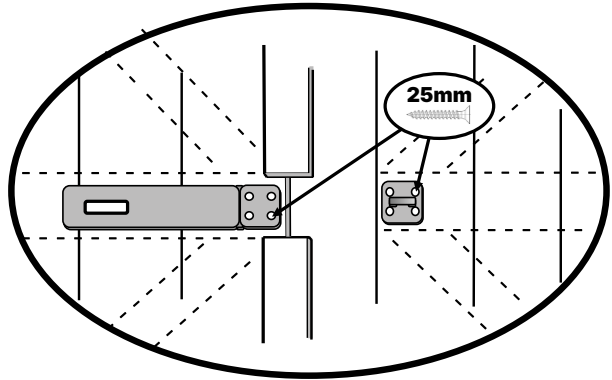
6. Hasp and Staple

Attach the hasp and staple to the outside of the door and door frame, using the black 25mm screws, as shown below.



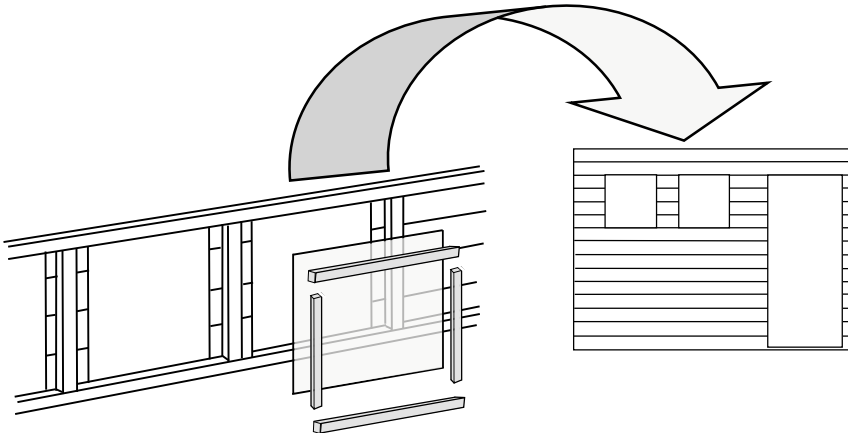
Double door

If your shed has a double door, see opposite. Using a hand saw, you will need to cut out a small section of the weather strip on the door over the middle brace, to allow fitting of the hasp and staple.



7. Windows (optional)

To fit the windows it is recommended that a waterproof sealant is applied around the edge of the glazing before fitting. From the inside of the building fit the styrene window into the frame and secure in place with the 4 strips of window bead. Fix the window bead to the window frame with 30mm panel pins.



8. Further Treatment

It is generally recommended to allow 30 days before painting or staining pressure treated timber. If the timber is not sufficiently dry, it can cause shrinkage and mould issues in the future.



If you have any questions or queries during the assembly of your building please contact us:



Helpline: 01384 897257

Opening hours: Monday – Friday 9am – 4.30pm



Scan the QR code above or visit

www.empiresheds.co.uk